



Flow control

Version: 2011-01

Type 500 for regulation and monitoring of the water circuits

for 0 up to 500 l/h/circuit



- batteries completely pre-installed.
- all water displacing components are constant temperature and hydrolysis resistant up to 80°C.
- transparency of the measuring housing is not affected by a build-up of condensation.
- display of precise reproducible values.
- extremely low drop in pressure.
- even distribution of pressure to all circuits.
- fine-regulation of valves.
- installation possible behind the assembly plate on the machine.
- easy cleaning with the supplied cleaning brush.



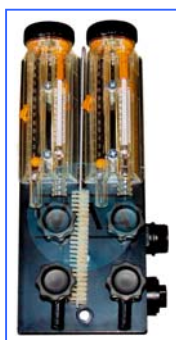
Quintuple casing: XB2.050.003



Quadruple casing: XB2.050.002



Triple casing: XB2.050.009



Double casing: XB2.050.020



Single casing: XB2.050.012



Indicator casing: XB2.050.000

Order-numbers are for batteries with hose connection 10 mm!

All flow controls also available as single casing with two hose connections 10 or 12 mm diam.

Special designs are available!

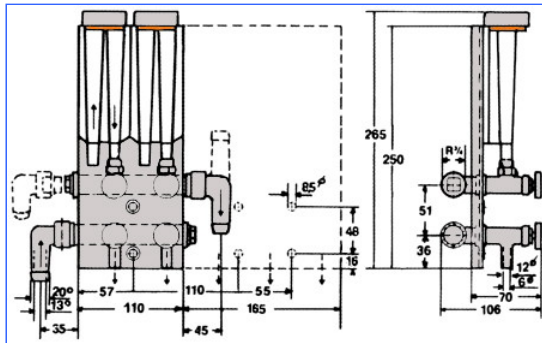
We reserve the right to make changes which are in the interest of technical progress.

© by WMA Schmidt & Bittner GmbH, Baumwaide 23, D-74360 Illfeld-Auenstein, Tel. +49 7062 9066-0, Fax +49 7062 9066-20
info@wma-sb.de or wma-sb@t-online.de, <http://www.wma-sb.de>

Flow control-1



Types 500.1 and 500.2 in return-flow.



Permanent pressure:
at 20° up to 10 bar
at 50° up to 8 bar
at 70° up to 6 bar
Permanent heat up to 80°

Type 500.1 and 500.2

The water flowing back from the cooled or tempered places will be conducted through every indicator casing to a multiple-discharge outlet into an open or closed system.

In the indicator casing floating ball and capillary thermometer show exactly consistent values.

A well-to-be-stopped sliding marker serves as a set-point.

Supplementary a rotary wing serves as a control of the function.

Batteries with 2, -3, -increasing by 1 up to 16 circuits.

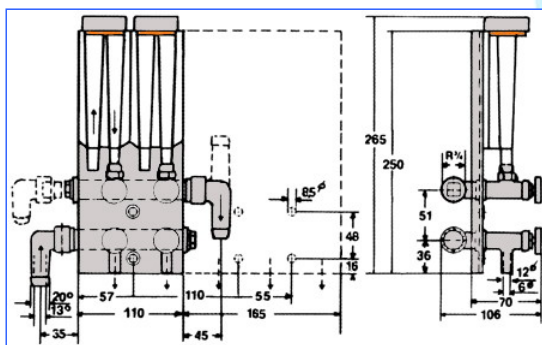
The angular nozzles on the multiple inflow and return flow, which are rotatable into every position, may be fixed on both sides as in the drawing left or both on one side.

Angular nozzles available with 12 or 19 mm diam.

From 8 circuits on, according to the total flow-rate the 2nd side of the pipes should be connected by means of commercially available 3/4" fittings.

Hose connection 12 mm diam. normal, 10 mm diam. by request.

Types 500.3 and 500.4 inflow controls.



Permanent pressure:
at 20° up to 10 bar
at 50° up to 8 bar
at 70° up to 6 bar
Permanent heat up to 80°

Type 500.3 and 500.4

In this model the indicator casings are in the inflow to the cooling and tempering places.

Batteries with 2, -4, -increasing by 2 up to 16 circuits

The angular nozzle, which is rotatable into every position, also may be fixed onto the inflow distributor piece on the right side by means of a 3/4" twin nozzle.

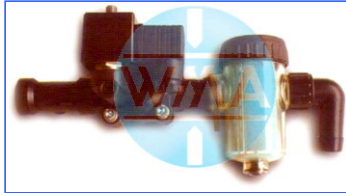
From 8 circuits on, according to the total flow-rate, the 2nd side of the pipe should be connected additionally by means of commercially available 3/4" fittings.

Hose connection 12 mm diam. normal,
10 mm diam. by request.



Magnetic valve

Cooling water stop immediately!



The magnetic valve is opened or closed by pulse at will, for instance by the pressure-drop indicator or by the pulse of the machine standing still, whereby a cooling down for instance of the injection moulding dies or the traverses can be avoided. In the normal model a loop remains open in the flowing direction before the magnetic valve, when the following are closed. Should another laying out be desired, as many loops as one likes may remain open before the magnetic valve.

Voltage:

Alternating current 220 V, 24 V;

Direct current 24 V, other on request

A filter is absolutely necessary!

Filter Type 500

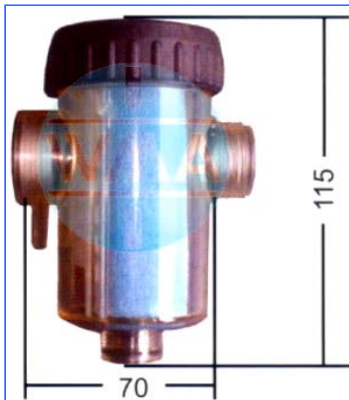
for secure function of magnetic valve and small cooling holes!

It is absolutely necessary to have the filter with quick change inserts for secure of magnetic valve and for the protection against deposits into cooling boreholes, valves and inspection glasses.

The filter inserts are impregnated specially and bring about a multiple of the sediment straining of tissue filters.

The degree of dirt accumulation can be clearly recognised through the transparent filter body.

Fittings: 3/4".



Permanent pressure:

at 20° up to 10 bar, Order-number: **XB2.050.041**

at 50° up to 8 bar

at 70° up to 6 bar

Permanent heat up to 80°

Pressure-drop indicator



Signals loss of pressure due to cracked or bended hoses or pressure increase due to blinding cooling holes.

Available in two designs:

1) closes at loss of pressure and opens at pressure increase

2) opens at loss of pressure and closes at pressure increase, Order-No.: **XB2.050.037**

Not required flow controllers can be shutdown separately.

Model 500.1 and model 500.2 can signal a malfunction by buzzer, by indicator lamp or by signal. They also can operate a magnetic valve in case of disfunction.

Conversion is possible at any time! Easy assembling!



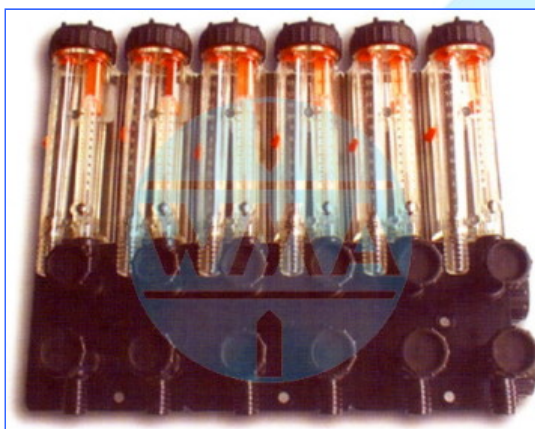
Flow control

Version: 2011-01

Type 2000 for regulation and monitoring of the cooling water circuits

for 0 up to 2000 l/h/circuit

- batteries completely pre-installed.
- all water displacing components are constant temperature and hydrolysis resistant up to 80°C.
- transparency of the measuring housing is not affected by a build-up of condensation.
- display of precise reproducible values.
- extremely low drop in pressure.
- even distribution of pressure to all circuits.
- fine-regulation of valves.
- installation possible behind the assembly plate on the machine.
- easy cleaning with the supplied cleaning brush.



Type 2000.1

One regulation in the inflow and one regulation in the return-flow;
Standard hose connection with 19 mm diam. Fittings 1 ¼"



Type 2000.2

like 2000.1, hose connection with 14 mm diam. however



Type 2000

Single indicator casing

All flow controls also available as single casing with two hose connections 14 or 19 mm diameter. Special designs are available!

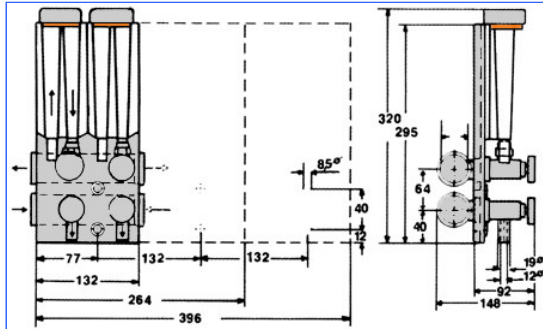
We reserve the right to make changes which are in the interest of technical progress.

© by WMA Schmidt & Bittner GmbH, Baumwaide 23, D-74360 Illfeld-Auenstein, Tel. +49 7062 9066-0, Fax +49 7062 9066-20
info@wma-sb.de or wma-sb@t-online.de, <http://www.wma-sb.de>

Flow control-4



Types 2000.1 and 2000.2 in the return-flow.



Permanent pressure:
at 20° up to 10 bar
at 50° up to 8 bar
at 70° up to 6 bar
Permanent heat up to 80°

Types 2000.1 and 2000.2

The return water-flow from the cooled or tempered places is led through each of the measuring bodies into an open or closed system.

In the measuring body 1 or 2 stainless steel balls and one capillary thermometer show exactly consistent values.

A well-to-be-stopped sliding marker shows the set value of the fluid flow.

A rotary wing additionally constitutes a function control.

Batteries with 2, -4, -increasing by 2 up to 16 circuits.

The 1 1/4" in- and return-flow headers have connections on both sides for commercially available fittings.

Hose connection with 14 or 19 mm diam.

In this model the valve hand-wheels may be pulled-off in order to avoid unwanted shifting.

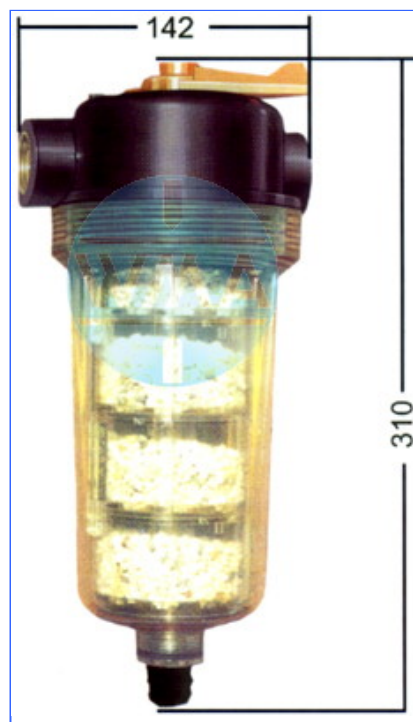


Flow control

Version: 2011-01

Quartz water filter for cooling circuits

- for cooled or tempered tools and machines
- Cooling water filter with any steps
- Function durance extraordinary long
- big dirt accumulation
- Water input in choice right or left with 3/4" or 1" inner thread
- Delivery complete ready for built on.
- Range: max. 5000 l/h.



Permanent pressure:
at 20° up to 10 bar
at 40° up to 8 bar
at 60° up to 6 bar
Permanent heat up to 60°

Order-number: XB2.050.004



Flow control

Version: 2011-01

Flow monitor for regulation and monitoring of liquid and gaseous media

- detecting of the flow velocity
- switches the output according to the programming
- monitoring of the relative flow values by means of LEDs
- switching status (flow below and flow has reached the switch point)
- excess flow (if the flow is considerably higher than the display range)
- monitoring of underflow and flow standstill



Order-number: XC4.SI1000-000

We reserve the right to make changes which are in the interest of technical progress.

© by WMA Schmidt & Bittner GmbH, Baumwaide 23, D-74360 Illfeld-Auenstein, Tel. +49 7062 9066-0, Fax +49 7062 9066-20
info@wma-sb.de or wma-sb@t-online.de, <http://www.wma-sb.de>

Flow control-7