



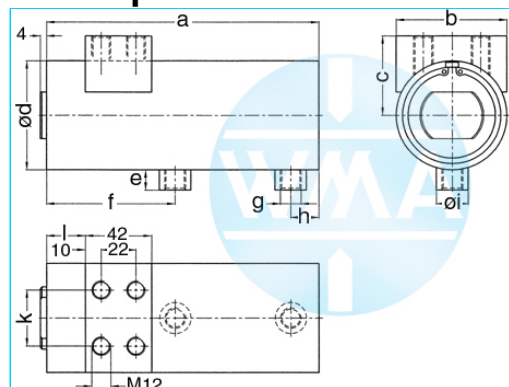
Welding cylinder

Lateral flange

Version: 2011-01

unilateral air connection,
double-stage pressurized

undamped



Nominal size 038

Stroke	a	b	c	d	e	f	g	h	i	k	l	Force*	Order-number
36	173	48	40	48	13	82	Rp1/4"	18	20	24	25	0.2 kN	105.114.121.038.036.
50	201	48	40	48	13	96	Rp1/4"	18	20	24	25	0.2 kN	105.114.121.038.050.
65	231	48	40	48	13	111	Rp1/4"	18	20	24	25	0.2 kN	105.114.121.038.065.
80	261	48	40	48	13	126	Rp1/4"	18	20	24	25	0.2 kN	105.114.121.038.080.
100	301	48	40	48	13	146	Rp1/4"	18	20	24	25	0.2 kN	105.114.121.038.100.
130	361	48	40	48	13	176	Rp1/4"	18	20	24	25	0.2 kN	105.114.121.038.130.
150	401	48	40	48	13	196	Rp1/4"	18	20	24	25	0.2 kN	105.114.121.038.150.

* at 1 bar pressure

Nominal size 044

Stroke	a	b	c	d	e	f	g	h	i	k	l	Force*	Order-number
36	173	55	44	55	13	82	Rp1/4"	18	20	30	25	0.28 kN	105.114.121.044.036.
50	201	55	44	55	13	96	Rp1/4"	18	20	30	25	0.28 kN	105.114.121.044.050.
65	231	55	44	55	13	111	Rp1/4"	18	20	30	25	0.28 kN	105.114.121.044.065.
80	261	55	44	55	13	126	Rp1/4"	18	20	30	25	0.28 kN	105.114.121.044.080.
100	301	55	44	55	13	146	Rp1/4"	18	20	30	25	0.28 kN	105.114.121.044.100.
130	361	55	44	55	13	176	Rp1/4"	18	20	30	25	0.28 kN	105.114.121.044.130.
150	401	55	44	55	13	196	Rp1/4"	18	20	30	25	0.28 kN	105.114.121.044.150.

* at 1 bar pressure

Nominal size 058

Stroke	a	b	c	d	e	f	g	h	i	k	l	Force*	Order-number
36	173	70	51	70	13	82	Rp1/4"	18	20	36	25	0.5 kN	105.114.121.058.036.
50	201	70	51	70	13	96	Rp1/4"	18	20	36	25	0.5 kN	105.114.121.058.050.
65	231	70	51	70	13	111	Rp1/4"	18	20	36	25	0.5 kN	105.114.121.058.065.
80	261	70	51	70	13	126	Rp1/4"	18	20	36	25	0.5 kN	105.114.121.058.080.
100	301	70	51	70	13	146	Rp1/4"	18	20	36	25	0.5 kN	105.114.121.058.100.
130	361	70	51	70	13	176	Rp1/4"	18	20	36	25	0.5 kN	105.114.121.058.130.
150	401	70	51	70	13	196	Rp1/4"	18	20	36	25	0.5 kN	105.114.121.058.150.

* at 1 bar pressure

Complete the Order-number:

Example: 105.114.121.044.036.??? No. Force connection (S.11).?? No. Cylinder rod (S.12)

We reserve the right to make changes which are in the interest of technical progress.

© by WMA Schmidt & Bittner GmbH, Baumwaide 23, D-74360 Illfeld-Auenstein, Tel. +49 7062 9066-0, Fax +49 7062 9066-20

info@wma-sb.de or wma-sb@t-online.de, http://www.wma-sb.de

Cylinder-lateral flange-1



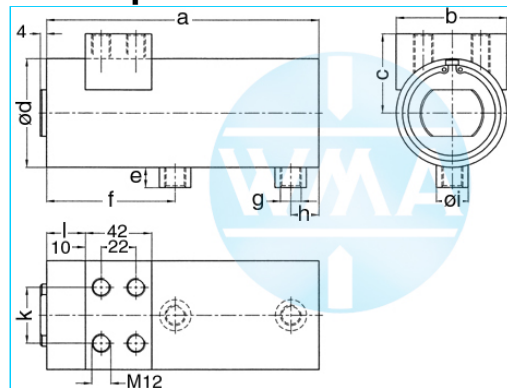
Welding cylinder

Lateral flange

Version: 2011-01

unilateral air connection,
double-stage pressurized

undamped



Nominal size 070

Stroke	a	b	c	d	e	f	g	h	i	k	l	Force*	Order-number
36	206	90	60	90	16	99	Rp3/8"	17	25	66	29	0.72 kN	105.114.121.070.036.
50	234	90	60	90	16	113	Rp3/8"	17	25	66	29	0.72 kN	105.114.121.070.050.
65	264	90	60	90	16	128	Rp3/8"	17	25	66	29	0.72 kN	105.114.121.070.065.
80	294	90	60	90	16	143	Rp3/8"	17	25	66	29	0.72 kN	105.114.121.070.080.
100	334	90	60	90	16	163	Rp3/8"	17	25	66	29	0.72 kN	105.114.121.070.100.
130	394	90	60	90	16	193	Rp3/8"	17	25	66	29	0.72 kN	105.114.121.070.130.
150	434	90	60	90	16	213	Rp3/8"	17	25	66	29	0.72 kN	105.114.121.070.150.

* at 1 bar pressure

Nominal size 080

Stroke	a	b	c	d	e	f	g	h	i	k	l	Force*	Order-number
36	206	100	65	100	16	99	Rp3/8"	17	25	76	29	0.95 kN	105.114.121.080.036.
50	234	100	65	100	16	113	Rp3/8"	17	25	76	29	0.95 kN	105.114.121.080.050.
65	264	100	65	100	16	128	Rp3/8"	17	25	76	29	0.95 kN	105.114.121.080.065.
80	294	100	65	100	16	143	Rp3/8"	17	25	76	29	0.95 kN	105.114.121.080.080.
100	334	100	65	100	16	163	Rp3/8"	17	25	76	29	0.95 kN	105.114.121.080.100.
130	394	100	65	100	16	193	Rp3/8"	17	25	76	29	0.95 kN	105.114.121.080.130.
150	434	100	65	100	16	213	Rp3/8"	17	25	76	29	0.95 kN	105.114.121.080.150.

* at 1 bar pressure

Nominal size 090

Stroke	a	b	c	d	e	f	g	h	i	k	l	Force*	Order-number
36	206	110	70	110	16	99	Rp3/8"	17	25	86	29	1.2 kN	105.114.121.090.036.
50	234	110	70	110	16	113	Rp3/8"	17	25	86	29	1.2 kN	105.114.121.090.050.
65	264	110	70	110	16	128	Rp3/8"	17	25	86	29	1.2 kN	105.114.121.090.065.
80	294	110	70	110	16	143	Rp3/8"	17	25	86	29	1.2 kN	105.114.121.090.080.
100	334	110	70	110	16	163	Rp3/8"	17	25	86	29	1.2 kN	105.114.121.090.100.
130	394	110	70	110	16	193	Rp3/8"	17	25	86	29	1.2 kN	105.114.121.090.130.
150	434	110	70	110	16	213	Rp3/8"	17	25	86	29	1.2 kN	105.114.121.090.150.

* at 1 bar pressure

Complete the Order-number:

Example: 105.114.121.080.036.??? No. Force connection (S. 11).?? No. Cylinder rod (S. 12)

We reserve the right to make changes which are in the interest of technical progress.

© by WMA Schmidt & Bittner GmbH, Baumwaide 23, D-74360 Illfeld-Auenstein, Tel. +49 7062 9066-0, Fax +49 7062 9066-20

info@wma-sb.de or wma-sb@t-online.de, http://www.wma-sb.de

Cylinder-lateral flange-2



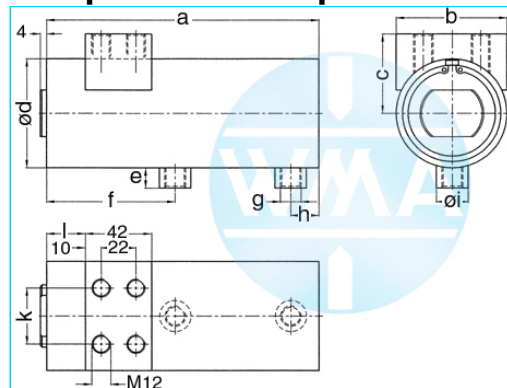
Welding cylinder

Lateral flange

Version: 2011-01

unilateral air connection,
double-stage pressurized

end position damped



Nominal size 044

Stroke	a	b	c	d	e	f	g	h	i	k	l	Force*	Order-number
36	201	55	44	55	13	96	Rp1/4"	18	20	30	25	0.28 kN	105.114.122.044.036.
50	231	55	44	55	13	111	Rp1/4"	18	20	30	25	0.28 kN	105.114.122.044.050.
65	261	55	44	55	13	126	Rp1/4"	18	20	30	25	0.28 kN	105.114.122.044.065.
80	301	55	44	55	13	146	Rp1/4"	18	20	30	25	0.28 kN	105.114.122.044.080.
100	361	55	44	55	13	176	Rp1/4"	18	20	30	25	0.28 kN	105.114.122.044.100.
130	401	55	44	55	13	196	Rp1/4"	18	20	30	25	0.28 kN	105.114.122.044.130.

* at 1 bar pressure

Nominal size 058

Stroke	a	b	c	d	e	f	g	h	i	k	l	Force*	Order-number
36	201	70	51	70	13	96	Rp1/4"	18	20	36	25	0.5 kN	105.114.122.058.036.
50	231	70	51	70	13	111	Rp1/4"	18	20	36	25	0.5 kN	105.114.122.058.050.
65	261	70	51	70	13	126	Rp1/4"	18	20	36	25	0.5 kN	105.114.122.058.065.
80	301	70	51	70	13	146	Rp1/4"	18	20	36	25	0.5 kN	105.114.122.058.080.
100	361	70	51	70	13	176	Rp1/4"	18	20	36	25	0.5 kN	105.114.122.058.100.
130	401	70	51	70	13	196	Rp1/4"	18	20	36	25	0.5 kN	105.114.122.058.130.

* at 1 bar pressure

Nominal size 070

Stroke	a	b	c	d	e	f	g	h	i	k	l	Force*	Order-number
36	234	90	60	90	16	113	Rp3/8"	17	25	66	29	0.72 kN	105.114.122.070.036.
50	264	90	60	90	16	128	Rp3/8"	17	25	66	29	0.72 kN	105.114.122.070.050.
65	294	90	60	90	16	143	Rp3/8"	17	25	66	29	0.72 kN	105.114.122.070.065.
80	334	90	60	90	16	163	Rp3/8"	17	25	66	29	0.72 kN	105.114.122.070.080.
100	394	90	60	90	16	193	Rp3/8"	17	25	66	29	0.72 kN	105.114.122.070.100.
130	434	90	60	90	16	213	Rp3/8"	17	25	66	29	0.72 kN	105.114.122.070.130.

* at 1 bar pressure

Complete the Order-number:

Example: 105.114.122.044.036.??? No. Force connection (S.11).?? No. Cylinder rod (S.12)

We reserve the right to make changes which are in the interest of technical progress.

© by WMA Schmidt & Bittner GmbH, Baumwaide 23, D-74360 Ilfeld-Auenstein, Tel. +49 7062 9066-0, Fax +49 7062 9066-20

info@wma-sb.de or wma-sb@t-online.de, http://www.wma-sb.de

Cylinder-lateral flange-3



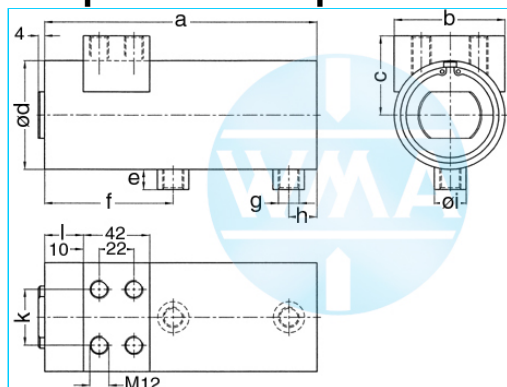
Welding cylinder

Lateral flange

Version: 2011-01

unilateral air connection,
double-stage pressurized

end position damped



Nominal size 080

Stroke	a	b	c	d	e	f	g	h	i	k	l	Force*	Order-number
36	234	100	65	100	16	113	Rp3/8"	17	25	76	29	0.95 kN	105.114.122.080.036.
50	264	100	65	100	16	128	Rp3/8"	17	25	76	29	0.95 kN	105.114.122.080.050.
65	294	100	65	100	16	143	Rp3/8"	17	25	76	29	0.95 kN	105.114.122.080.065.
80	334	100	65	100	16	163	Rp3/8"	17	25	76	29	0.95 kN	105.114.122.080.080.
100	394	100	65	100	16	193	Rp3/8"	17	25	76	29	0.95 kN	105.114.122.080.100.
130	434	100	65	100	16	213	Rp3/8"	17	25	76	29	0.95 kN	105.114.122.080.130.

* at 1 bar pressure

Nominal size 090

Stroke	a	b	c	d	e	f	g	h	i	k	l	Force*	Order-number
36	234	110	70	110	16	113	Rp3/8"	17	25	86	29	1.2 kN	105.114.122.090.036.
50	264	110	70	110	16	128	Rp3/8"	17	25	86	29	1.2 kN	105.114.122.090.050.
65	294	110	70	110	16	143	Rp3/8"	17	25	86	29	1.2 kN	105.114.122.090.065.
80	334	110	70	110	16	163	Rp3/8"	17	25	86	29	1.2 kN	105.114.122.090.080.
100	394	110	70	110	16	193	Rp3/8"	17	25	86	29	1.2 kN	105.114.122.090.100.
130	434	110	70	110	16	213	Rp3/8"	17	25	86	29	1.2 kN	105.114.122.090.130.

* at 1 bar pressure

Complete the Order-number:

Example: 105.114.122.080.036.??? No. Force connection (S.11).?? No. Cylinder rod (S.12)

We reserve the right to make changes which are in the interest of technical progress.

© by WMA Schmidt & Bittner GmbH, Baumwaide 23, D-74360 Illfeld-Auenstein, Tel. +49 7062 9066-0, Fax +49 7062 9066-20

info@wma-sb.de or wma-sb@t-online.de, <http://www.wma-sb.de>

Cylinder-lateral flange-4



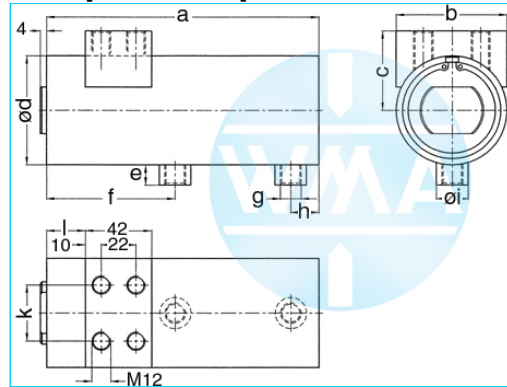
Welding cylinder

Lateral flange

Version: 2011-01

unilateral air connection,
double-stage pressurized

damped independent of stroke



Nominal size 044

Stroke	a	b	c	d	e	f	g	h	i	k	l	Force*	Order-number
36	173	55	44	55	13	82	Rp1/4"	18	20	30	25	0.28 kN	105.114.123.044.036.
50	201	55	44	55	13	96	Rp1/4"	18	20	30	25	0.28 kN	105.114.123.044.050.
65	231	55	44	55	13	111	Rp1/4"	18	20	30	25	0.28 kN	105.114.123.044.065.
80	261	55	44	55	13	126	Rp1/4"	18	20	30	25	0.28 kN	105.114.123.044.080.
100	301	55	44	55	13	146	Rp1/4"	18	20	30	25	0.28 kN	105.114.123.044.100.
130	361	55	44	55	13	176	Rp1/4"	18	20	30	25	0.28 kN	105.114.123.044.130.
150	401	55	44	55	13	196	Rp1/4"	18	20	30	25	0.28 kN	105.114.123.044.150.

* at 1 bar pressure

Nominal size 058

Stroke	a	b	c	d	e	f	g	h	i	k	l	Force*	Order-number
36	173	70	51	70	13	82	Rp1/4"	18	20	36	25	0.5 kN	105.114.123.058.036.
50	201	70	51	70	13	96	Rp1/4"	18	20	36	25	0.5 kN	105.114.123.058.050.
65	231	70	51	70	13	111	Rp1/4"	18	20	36	25	0.5 kN	105.114.123.058.065.
80	261	70	51	70	13	126	Rp1/4"	18	20	36	25	0.5 kN	105.114.123.058.080.
100	301	70	51	70	13	146	Rp1/4"	18	20	36	25	0.5 kN	105.114.123.058.100.
130	361	70	51	70	13	176	Rp1/4"	18	20	36	25	0.5 kN	105.114.123.058.130.
150	401	70	51	70	13	196	Rp1/4"	18	20	36	25	0.5 kN	105.114.123.058.150.

* at 1 bar pressure

Nominal size 070

Stroke	a	b	c	d	e	f	g	h	i	k	l	Force*	Order-number
36	206	90	60	90	16	99	Rp3/8"	17	25	66	29	0.72 kN	105.114.123.070.036.
50	234	90	60	90	16	113	Rp3/8"	17	25	66	29	0.72 kN	105.114.123.070.050.
65	264	90	60	90	16	128	Rp3/8"	17	25	66	29	0.72 kN	105.114.123.070.065.
80	294	90	60	90	16	143	Rp3/8"	17	25	66	29	0.72 kN	105.114.123.070.080.
100	334	90	60	90	16	163	Rp3/8"	17	25	66	29	0.72 kN	105.114.123.070.100.
130	394	90	60	90	16	193	Rp3/8"	17	25	66	29	0.72 kN	105.114.123.070.130.
150	434	90	60	90	16	213	Rp3/8"	17	25	66	29	0.72 kN	105.114.123.070.150.

* at 1 bar pressure

Complete the Order-number:

Example: 105.114.123.044.036.??? No. Force connection (S. 11).?? No. Cylinder rod (S. 12)

We reserve the right to make changes which are in the interest of technical progress.

© by WMA Schmidt & Bittner GmbH, Baumwaide 23, D-74360 Illfeld-Auenstein, Tel. +49 7062 9066-0, Fax +49 7062 9066-20

info@wma-sb.de or wma-sb@t-online.de, http://www.wma-sb.de

Cylinder-lateral flange-5



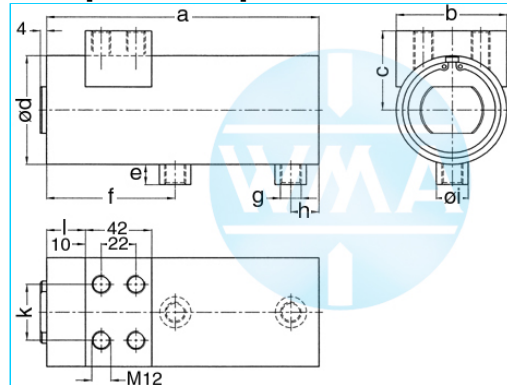
Welding cylinder

Lateral flange

Version: 2011-01

unilateral air connection,
double-stage pressurized

damped independent of stroke



Nominal size 080

Stroke	a	b	c	d	e	f	g	h	i	k	l	Force*	Order-number
36	206	100	65	100	16	99	Rp3/8"	17	25	76	29	0.95 kN	105.114.123.080.036.
50	234	100	65	100	16	113	Rp3/8"	17	25	76	29	0.95 kN	105.114.123.080.050.
65	264	100	65	100	16	128	Rp3/8"	17	25	76	29	0.95 kN	105.114.123.080.065.
80	294	100	65	100	16	143	Rp3/8"	17	25	76	29	0.95 kN	105.114.123.080.080.
100	334	100	65	100	16	163	Rp3/8"	17	25	76	29	0.95 kN	105.114.123.080.100.
130	394	100	65	100	16	193	Rp3/8"	17	25	76	29	0.95 kN	105.114.123.080.130.
150	434	100	65	100	16	213	Rp3/8"	17	25	76	29	0.95 kN	105.114.123.080.150.

* at 1 bar pressure

Nominal size 090

Stroke	a	b	c	d	e	f	g	h	i	k	l	Force*	Order-number
36	206	110	70	110	16	99	Rp3/8"	17	25	86	29	1.2 kN	105.114.123.090.036.
50	234	110	70	110	16	113	Rp3/8"	17	25	86	29	1.2 kN	105.114.123.090.050.
65	264	110	70	110	16	128	Rp3/8"	17	25	86	29	1.2 kN	105.114.123.090.065.
80	294	110	70	110	16	143	Rp3/8"	17	25	86	29	1.2 kN	105.114.123.090.080.
100	334	110	70	110	16	163	Rp3/8"	17	25	86	29	1.2 kN	105.114.123.090.100.
130	394	110	70	110	16	193	Rp3/8"	17	25	86	29	1.2 kN	105.114.123.090.130.
150	434	110	70	110	16	213	Rp3/8"	17	25	86	29	1.2 kN	105.114.123.090.150.

* at 1 bar pressure

Complete the Order-number:

Example: 105.114.123.080.036.??? No. Force connection (S.11).?? No. Cylinder rod (S.12)

We reserve the right to make changes which are in the interest of technical progress.

© by WMA Schmidt & Bittner GmbH, Baumwaide 23, D-74360 Illfeld-Auenstein, Tel. +49 7062 9066-0, Fax +49 7062 9066-20

info@wma-sb.de or wma-sb@t-online.de, <http://www.wma-sb.de>

Cylinder-lateral flange-6



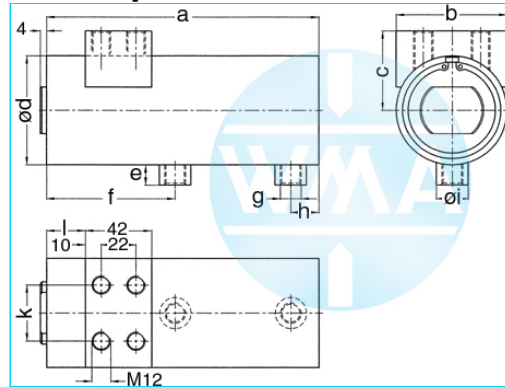
Welding cylinder

Lateral flange

Version: 2011-01

unilateral air connection,
three-stage pressurized

undamped



Nominal size 038

Stroke	a	b	c	d	e	f	g	h	i	k	l	Force*	Order-number
36	232	48	40	48	13	141	Rp1/4"	18	20	24	25	0.28 kN	105.114.131.038.036.
50	274	48	40	48	13	169	Rp1/4"	18	20	24	25	0.28 kN	105.114.131.038.050.
65	319	48	40	48	13	199	Rp1/4"	18	20	24	25	0.28 kN	105.114.131.038.065.
80	364	48	40	48	13	229	Rp1/4"	18	20	24	25	0.28 kN	105.114.131.038.080.
100	424	48	40	48	13	269	Rp1/4"	18	20	24	25	0.28 kN	105.114.131.038.100.
130	514	48	40	48	13	329	Rp1/4"	18	20	24	25	0.28 kN	105.114.131.038.130.
150	574	48	40	48	13	369	Rp1/4"	18	20	24	25	0.28 kN	105.114.131.038.150.

* at 1 bar pressure

Nominal size 044

Stroke	a	b	c	d	e	f	g	h	i	k	l	Force*	Order-number
36	232	55	44	55	13	141	Rp1/4"	18	20	30	25	0.39 kN	105.114.131.044.036.
50	274	55	44	55	13	169	Rp1/4"	18	20	30	25	0.39 kN	105.114.131.044.050.
65	319	55	44	55	13	199	Rp1/4"	18	20	30	25	0.39 kN	105.114.131.044.065.
80	364	55	44	55	13	229	Rp1/4"	18	20	30	25	0.39 kN	105.114.131.044.080.
100	424	55	44	55	13	269	Rp1/4"	18	20	30	25	0.39 kN	105.114.131.044.100.
130	514	55	44	55	13	329	Rp1/4"	18	20	30	25	0.39 kN	105.114.131.044.130.
150	574	55	44	55	13	369	Rp1/4"	18	20	30	25	0.39 kN	105.114.131.044.150.

* at 1 bar pressure

Nominal size 058

Stroke	a	b	c	d	e	f	g	h	i	k	l	Force*	Order-number
36	232	70	51	70	13	141	Rp1/4"	18	20	36	25	0.72 kN	105.114.131.058.036.
50	274	70	51	70	13	169	Rp1/4"	18	20	36	25	0.72 kN	105.114.131.058.050.
65	319	70	51	70	13	199	Rp1/4"	18	20	36	25	0.72 kN	105.114.131.058.065.
80	364	70	51	70	13	229	Rp1/4"	18	20	36	25	0.72 kN	105.114.131.058.080.
100	424	70	51	70	13	269	Rp1/4"	18	20	36	25	0.72 kN	105.114.131.058.100.
130	514	70	51	70	13	329	Rp1/4"	18	20	36	25	0.72 kN	105.114.131.058.130.
150	574	70	51	70	13	369	Rp1/4"	18	20	36	25	0.72 kN	105.114.131.058.150.

* at 1 bar pressure

Complete the Order-number:

Example: 105.114.131.044.036.??? No. Force connection (S.11).?? No. Cylinder rod (S.12)

We reserve the right to make changes which are in the interest of technical progress.

© by WMA Schmidt & Bittner GmbH, Baumwaide 23, D-74360 Ilfeld-Auenstein, Tel. +49 7062 9066-0, Fax +49 7062 9066-20

info@wma-sb.de or wma-sb@t-online.de, http://www.wma-sb.de

Cylinder-lateral flange-7



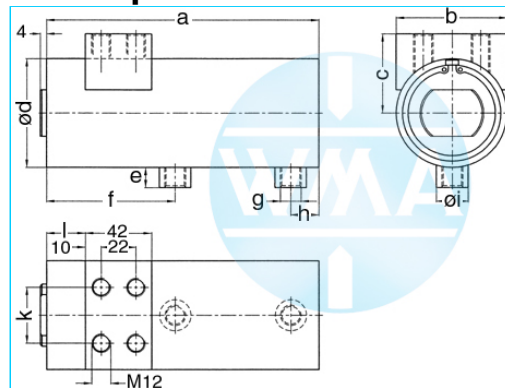
Welding cylinder

Lateral flange

Version: 2011-01

unilateral air connection,
three-stage pressurized

undamped



Nominal size 070

Stroke	a	b	c	d	e	f	g	h	i	k	l	Force*	Order-number
36	276	90	60	90	16	169	Rp3/8"	24	25	66	29	1.04 kN	105.114.131.070.036.
50	318	90	60	90	16	197	Rp3/8"	24	25	66	29	1.04 kN	105.114.131.070.050.
65	363	90	60	90	16	227	Rp3/8"	24	25	66	29	1.04 kN	105.114.131.070.065.
80	408	90	60	90	16	257	Rp3/8"	24	25	66	29	1.04 kN	105.114.131.070.080.
100	468	90	60	90	16	297	Rp3/8"	24	25	66	29	1.04 kN	105.114.131.070.100.
130	558	90	60	90	16	357	Rp3/8"	24	25	66	29	1.04 kN	105.114.131.070.130.
150	618	90	60	90	16	397	Rp3/8"	24	25	66	29	1.04 kN	105.114.131.070.150.

* at 1 bar pressure

Nominal size 080

Stroke	a	b	c	d	e	f	g	h	i	k	l	Force*	Order-number
36	276	100	65	100	16	169	Rp3/8"	24	25	76	29	1.4 kN	105.114.131.080.036.
50	318	100	65	100	16	197	Rp3/8"	24	25	76	29	1.4 kN	105.114.131.080.050.
65	363	100	65	100	16	227	Rp3/8"	24	25	76	29	1.4 kN	105.114.131.080.065.
80	408	100	65	100	16	257	Rp3/8"	24	25	76	29	1.4 kN	105.114.131.080.080.
100	468	100	65	100	16	297	Rp3/8"	24	25	76	29	1.4 kN	105.114.131.080.100.
130	558	100	65	100	16	357	Rp3/8"	24	25	76	29	1.4 kN	105.114.131.080.130.
150	618	100	65	100	16	397	Rp3/8"	24	25	76	29	1.4 kN	105.114.131.080.150.

* at 1 bar pressure

Nominal size 090

Stroke	a	b	c	d	e	f	g	h	i	k	l	Force*	Order-number
36	276	110	70	110	16	169	Rp3/8"	24	25	86	29	1.8 kN	105.114.131.090.036.
50	318	110	70	110	16	197	Rp3/8"	24	25	86	29	1.8 kN	105.114.131.090.050.
65	363	110	70	110	16	227	Rp3/8"	24	25	86	29	1.8 kN	105.114.131.090.065.
80	408	110	70	110	16	257	Rp3/8"	24	25	86	29	1.8 kN	105.114.131.090.080.
100	468	110	70	110	16	297	Rp3/8"	24	25	86	29	1.8 kN	105.114.131.090.100.
130	558	110	70	110	16	357	Rp3/8"	24	25	86	29	1.8 kN	105.114.131.090.130.
150	618	110	70	110	16	397	Rp3/8"	24	25	86	29	1.8 kN	105.114.131.090.150.

* at 1 bar pressure

Complete the Order-number:

Example: 105.114.131.080.036.??? No. Force connection (S.11).?? No. Cylinder rod (S.12)

We reserve the right to make changes which are in the interest of technical progress.

© by WMA Schmidt & Bittner GmbH, Baumwaide 23, D-74360 Illfeld-Auenstein, Tel. +49 7062 9066-0, Fax +49 7062 9066-20

info@wma-sb.de or wma-sb@t-online.de, http://www.wma-sb.de

Cylinder-lateral flange-8



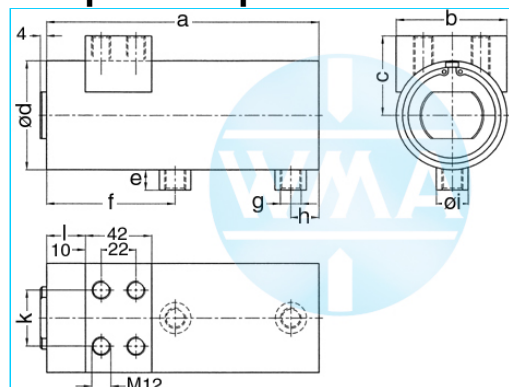
Welding cylinder

Lateral flange

Version: 2011-01

unilateral air connection,
three-stage pressurized

damped independent of stroke



Nominal size 044

Stroke	a	b	c	d	e	f	g	h	i	k	l	Force*	Order-number
36	232	55	44	55	13	141	Rp1/4"	18	20	30	25	0.39 kN	105.114.132.044.036.
50	274	55	44	55	13	169	Rp1/4"	18	20	30	25	0.39 kN	105.114.132.044.050.
65	319	55	44	55	13	199	Rp1/4"	18	20	30	25	0.39 kN	105.114.132.044.065.
80	364	55	44	55	13	229	Rp1/4"	18	20	30	25	0.39 kN	105.114.132.044.080.
100	424	55	44	55	13	269	Rp1/4"	18	20	30	25	0.39 kN	105.114.132.044.100.
130	514	55	44	55	13	329	Rp1/4"	18	20	30	25	0.39 kN	105.114.132.044.130.
150	574	55	44	55	13	369	Rp1/4"	18	20	30	25	0.39 kN	105.114.132.044.150.

* at 1 bar pressure

Nominal size 058

Stroke	a	b	c	d	e	f	g	h	i	k	l	Force*	Order-number
36	232	70	51	70	13	141	Rp1/4"	18	20	36	25	0.72 kN	105.114.132.058.036.
50	274	70	51	70	13	169	Rp1/4"	18	20	36	25	0.72 kN	105.114.132.058.050.
65	319	70	51	70	13	199	Rp1/4"	18	20	36	25	0.72 kN	105.114.132.058.065.
80	364	70	51	70	13	229	Rp1/4"	18	20	36	25	0.72 kN	105.114.132.058.080.
100	424	70	51	70	13	269	Rp1/4"	18	20	36	25	0.72 kN	105.114.132.058.100.
130	514	70	51	70	13	329	Rp1/4"	18	20	36	25	0.72 kN	105.114.132.058.130.
150	574	70	51	70	13	369	Rp1/4"	18	20	36	25	0.72 kN	105.114.132.058.150.

* at 1 bar pressure

Nominal size 070

Stroke	a	b	c	d	e	f	g	h	i	k	l	Force*	Order-number
36	276	90	60	90	16	169	Rp3/8"	24	25	66	29	1.04 kN	105.114.132.070.036.
50	318	90	60	90	16	197	Rp3/8"	24	25	66	29	1.04 kN	105.114.132.070.050.
65	363	90	60	90	16	227	Rp3/8"	24	25	66	29	1.04 kN	105.114.132.070.065.
80	408	90	60	90	16	257	Rp3/8"	24	25	66	29	1.04 kN	105.114.132.070.080.
100	468	90	60	90	16	297	Rp3/8"	24	25	66	29	1.04 kN	105.114.132.070.100.
130	558	90	60	90	16	357	Rp3/8"	24	25	66	29	1.04 kN	105.114.132.070.130.
150	618	90	60	90	16	397	Rp3/8"	24	25	66	29	1.04 kN	105.114.132.070.150.

* at 1 bar pressure

Complete the Order-number:

Example: 105.114.132.044.036.??? No. Force connection (S.11).?? No. Cylinder rod (S.12)

We reserve the right to make changes which are in the interest of technical progress.

© by WMA Schmidt & Bittner GmbH, Baumwaide 23, D-74360 Illfeld-Auenstein, Tel. +49 7062 9066-0, Fax +49 7062 9066-20

info@wma-sb.de or wma-sb@t-online.de, http://www.wma-sb.de

Cylinder-lateral flange-9



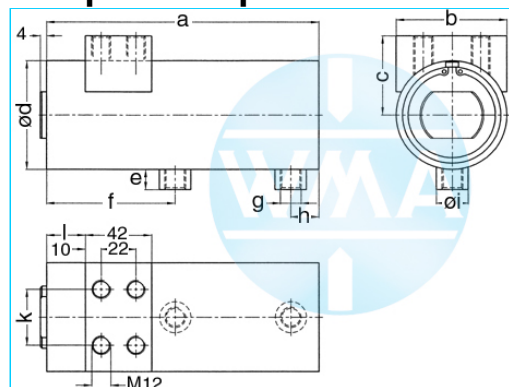
Welding cylinder

Lateral flange

Version: 2011-01

unilateral air connection,
three-stage pressurized

damped independent of stroke



Nominal size 080

Stroke	a	b	c	d	e	f	g	h	i	k	l	Force*	Order-number
36	276	100	65	100	16	169	Rp3/8"	24	25	76	29	1.4 kN	105.114.132.080.036.
50	318	100	65	100	16	197	Rp3/8"	24	25	76	29	1.4 kN	105.114.132.080.050.
65	363	100	65	100	16	227	Rp3/8"	24	25	76	29	1.4 kN	105.114.132.080.065.
80	408	100	65	100	16	257	Rp3/8"	24	25	76	29	1.4 kN	105.114.132.080.080.
100	468	100	65	100	16	297	Rp3/8"	24	25	76	29	1.4 kN	105.114.132.080.100.
130	558	100	65	100	16	357	Rp3/8"	24	25	76	29	1.4 kN	105.114.132.080.130.
150	618	100	65	100	16	397	Rp3/8"	24	25	76	29	1.4 kN	105.114.132.080.150.

* at 1 bar pressure

Nominal size 090

Stroke	a	b	c	d	e	f	g	h	i	k	l	Force*	Order-number
36	276	110	70	110	16	169	Rp3/8"	24	25	86	29	1.8 kN	105.114.132.090.036.
50	318	110	70	110	16	197	Rp3/8"	24	25	86	29	1.8 kN	105.114.132.090.050.
65	363	110	70	110	16	227	Rp3/8"	24	25	86	29	1.8 kN	105.114.132.090.065.
80	408	110	70	110	16	257	Rp3/8"	24	25	86	29	1.8 kN	105.114.132.090.080.
100	468	110	70	110	16	297	Rp3/8"	24	25	86	29	1.8 kN	105.114.132.090.100.
130	558	110	70	110	16	357	Rp3/8"	24	25	86	29	1.8 kN	105.114.132.090.130.
150	618	110	70	110	16	397	Rp3/8"	24	25	86	29	1.8 kN	105.114.132.090.150.

* at 1 bar pressure

Complete the Order-number:

Example: 105.114.132.080.036.??? No. Force connection (S. 11).?? No. Cylinder rod (S. 12)

We reserve the right to make changes which are in the interest of technical progress.

© by WMA Schmidt & Bittner GmbH, Baumwaide 23, D-74360 Illfeld-Auenstein, Tel. +49 7062 9066-0, Fax +49 7062 9066-20

info@wma-sb.de or wma-sb@t-online.de, <http://www.wma-sb.de>

Cylinder-lateral flange-10



Welding cylinder

Lateral flange

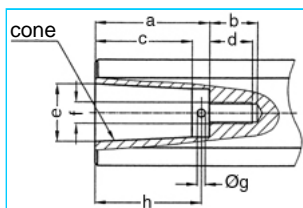
Version: 2011-01

Force connection

Write the number (with point) from the selected Force connection direct behind the Order-number of the cylinder and complete the whole Order-number with the chosen number of the Cylinder rod.

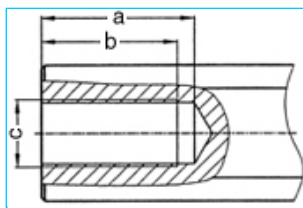
Example: 105.114.132.080.036.103.?? No. Cylinder rod (S.12)

Internal cone



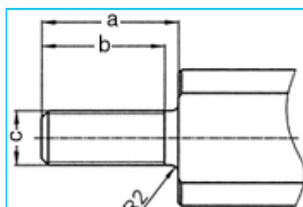
a	b	c	d	e	cone	f	g	h	No.
33	18	27.0	16	17.780	MK2	M8	3	30	101.
42	18	35.5	16	21.806	MK3	M8	3	39	102.
42	18	35.5	16	21.750	1:10	M8	3	39	103.

Female thread



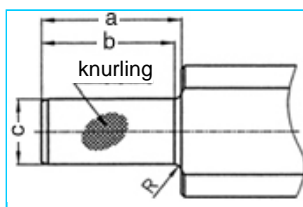
a	b	c	No.
45	40	M20 x 1.5	201.
62	58	M20 x 1.5	202.

Male thread



a	b	c	No.
40	36	M16 x 1.5	301.
40	36	M20 x 1.5	302.
40	36	M24 x 1.5	303.

Knurl



a	b	c	Knurling	R	No.
42	40	20 ¹⁷	1 x 0.2 DIN 82	2	401.
42	42	25 ¹⁷	1 x 0.2 DIN 82	-	402.

We reserve the right to make changes which are in the interest of technical progress.

© by WMA Schmidt & Bittner GmbH, Baumwaide 23, D-74360 Illfeld-Auenstein, Tel. +49 7062 9066-0, Fax +49 7062 9066-20

info@wma-sb.de or wma-sb@t-online.de, <http://www.wma-sb.de>

Cylinder-lateral flange-11



Welding cylinder

Lateral flange

Version: 2011-01

Cylinder rod

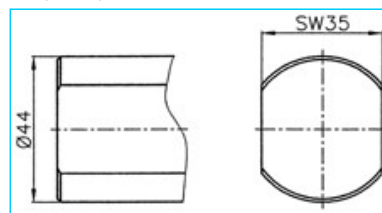
flattened and rotation locked

Complete the Order-number with the selected number of the chosen cylinder rod.

Example: 105.114.132.080.036.103.00

For piston diameter

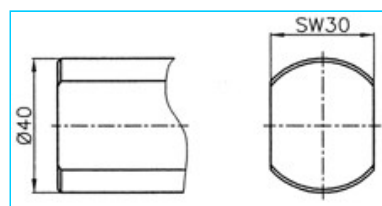
70, 80, 90



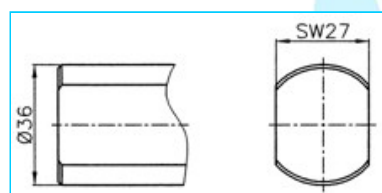
No. 00

For piston diameter

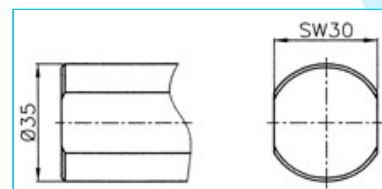
38, 44, 58



No. 01



No. 02



No. 03

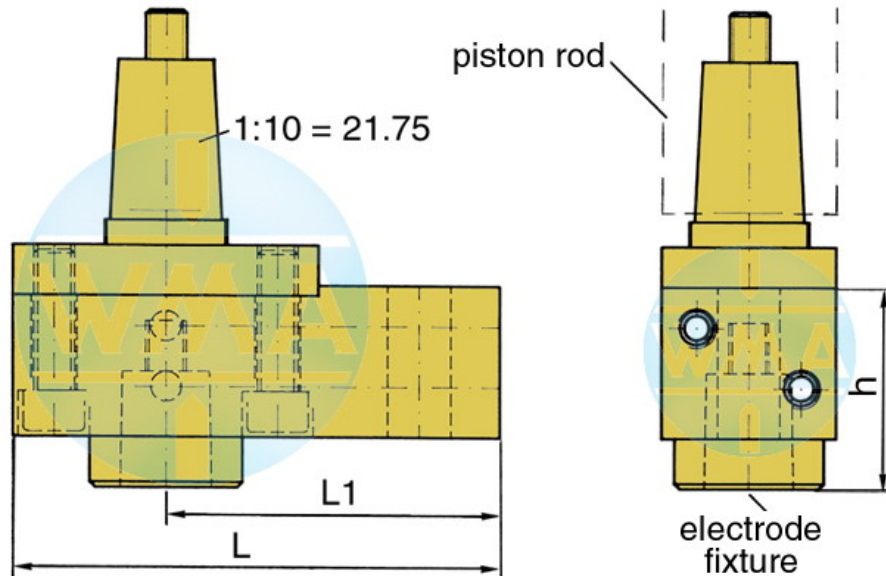


Welding cylinder

Lateral flange

Version: 2011-01

Electrode holder for welding cylinders



Piston Ø	L	L1	Water connection
38	95	65	possible on both sides
44	95	65	possible on both sides
58	110	80	possible on both sides
70	110	80	possible on both sides
80	120	90	possible on both sides
90	120	90	possible on both sides

Available cones for the electrode fixture

cone	Ø d	h
1 : 10	9.8	39
1 : 10	12.0	39
1 : 10	12.7	39
1 : 10	15.5	39
1 : 10	15.75	39
1 : 10	17.75	50
1 : 10	19.0	50
MK 1	12.065	39
MK 2	17.781	50

Further cones available on request!

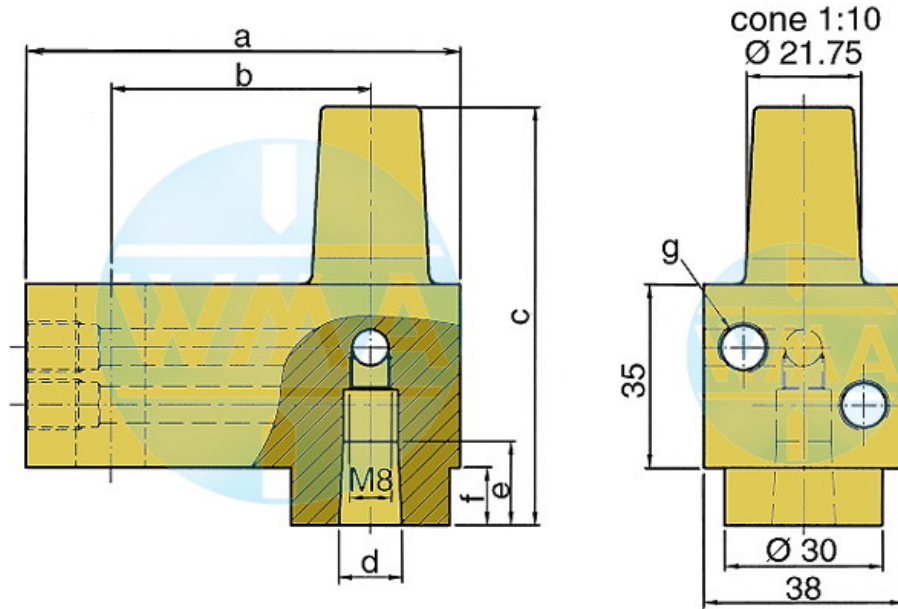


Welding cylinder

Lateral flange

Version: 2011-01

Electrode holder



This electrode holder is main used in welding machines with variable and fast-change electrode shafts.

a	b	c	d	e	f	g	Order-number	
82	49	80	1:10=12.00	16	16	11	M10 x 1 or R 1/8"	L60051080-000
82	49	80	MK1	16	16	11	M10 x 1 or R 1/8"	L60091080-000
82	49	80	1:10=15.75	20	20	11	M10 x 1 or R 1/8"	L60131080-001
82	49	80	1:10=18	20	20	11	M10 x 1 or R 1/8"	L60061080-000
82	49	80	MK2	20	20	11	M10 x 1 or R 1/8"	L60101080-000
82	49	90	1:10=21.75	31	31	21	M10 x 1 or R 1/8"	L60221080-000
82	49	90	MK3	31	31	21	M10 x 1 or R 1/8"	L60111080-000
97	64	90	1:10=21.75	31	31	21	M10 x 1 or R 1/8"	L60221090-000
97	64	90	MK3	31	31	21	M10 x 1 or R 1/8"	L60111090-000
107	74	90	1:10=21.75	31	31	21	M10 x 1 or R 1/8"	L60221090-001
107	74	90	MK3	31	31	21	M10 x 1 or R 1/8"	L60111090-001

We reserve the right to make changes which are in the interest of technical progress.

© by WMA Schmidt & Bittner GmbH, Baumwaide 23, D-74360 Illfeld-Auenstein, Tel. +49 7062 9066-0, Fax +49 7062 9066-20

info@wma-sb.de or wma-sb@t-online.de, <http://www.wma-sb.de>