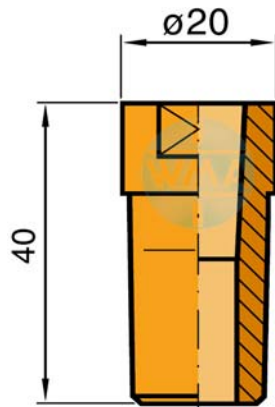


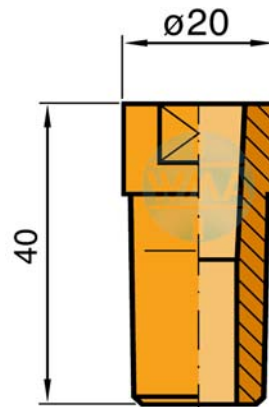


# Reducing pieces, screw-in cones

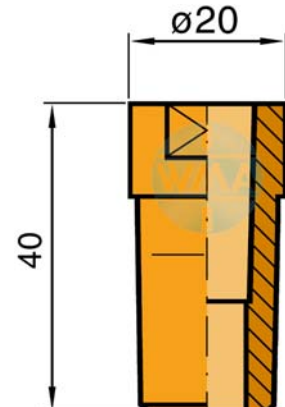
Version: 2011-01



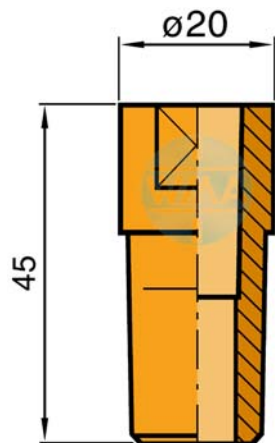
No. 37  
MK2 up 1:10=12



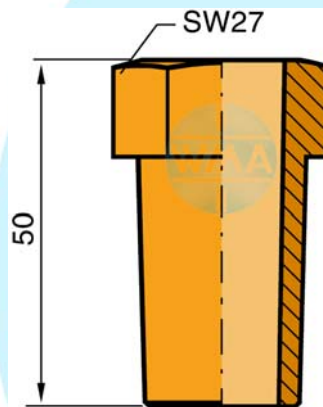
No. 38  
1:10=18 up 1:10=12



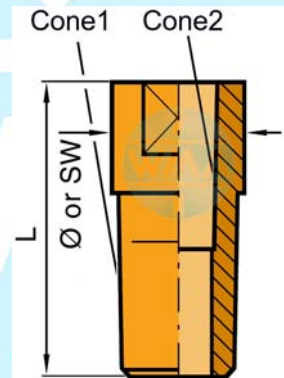
No. 39  
1:10=18 up MK1



No. 40  
MK2 up MK1



No. 40S  
MK3 up MK2



## Reducing pieces:

MK2 up 1:10=12  
1:10=18 up 1:10=12  
1:10=18 up MK1  
MK2 up MK1  
MK3 up MK2

## No.

37  
38  
39  
40  
40S

## Order-number:

H37010005-000  
H38006005-000  
H39006009-000  
H40010009-000  
H40011010-000

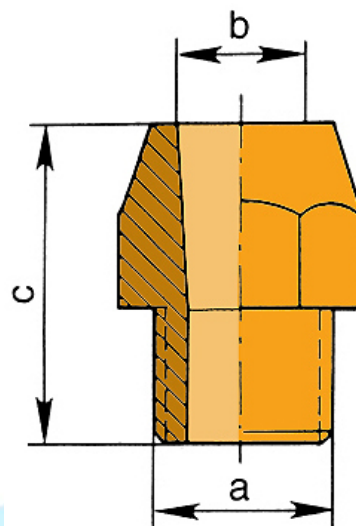
We reserve the right to make changes which are in the interest of technical progress.

© by WMA Schmidt & Bittner GmbH, Baumwaide 23, D-74360 Illfeld-Auenstein, Tel. +49 7062 9066-0, Fax +49 7062 9066-20  
info@wma-sb.de or wma-sb@t-online.de, <http://www.wma-sb.de>

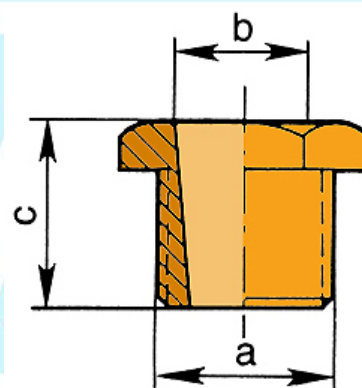


## Screw-in cones

a	b	c	Order-number
M16 x 1.5	1:10 = 10,5	35	H40A35035-000
M16 x 1.5	1:10 = 12	35	H40A05035-000
M16 x 1.5	MK1	35	H40A09035-000
M18 x 1.5	MK1	35	H40B09035-000
M24 x 1.5	MK2	42	H40D10042-000
M24 x 1.5	1:10 = 18	42	H40D06042-000
M32 x 1.5	MK3	60	H40E11060-000



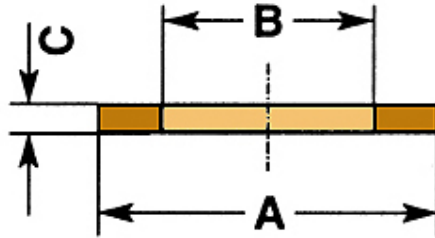
a	b	c	Order-number
M16 x 1.5	1:10 = 10,5	16	H40A35016-000
M16 x 1.5	1:10 = 12	16	H40A05016-000
M16 x 1.5	MK1	16	H40A09016-000
M18 x 1.5	MK1	16	H40B09016-000
M24 x 1.5	MK2	25	H40D10025-000
M24 x 1.5	1:10 = 18	25	H40D06025-000
M32 x 1.5	MK3	35	H40E11035-000



All screw-in cones are available on request in other dimensions.  
Please provide all relevant dimensions.



## CU gaskets



Designation (in mm)	A (mm)	B (mm)	C (mm)	Order-number
18 x 12 x 1.3	18	12.0	1.3	XD2.460.1201300
20 x 14 x 1.5	20	14.0	1.5	XD2.460.1402000
24 x 16,5 x 3	24	16.5	3.0	XD2.460.2403001
24 x 18,2 x 3	24	18.2	3.0	XD2.460.2403000
30 x 18 x 3	30	18.0	3.0	XD2.460.3003000
29 x 22 x 1.5	39	22.0	1.5	XD2.460.3900150
34,5 x 24,2 x 3	34.5	24.2	3.0	XD2.460.3453000
35 x 26,5 x 3	35	26.0	3.0	XD2.460.2603000
38 x 32 x 2	38	32.0	2.0	XD2.460.3802000